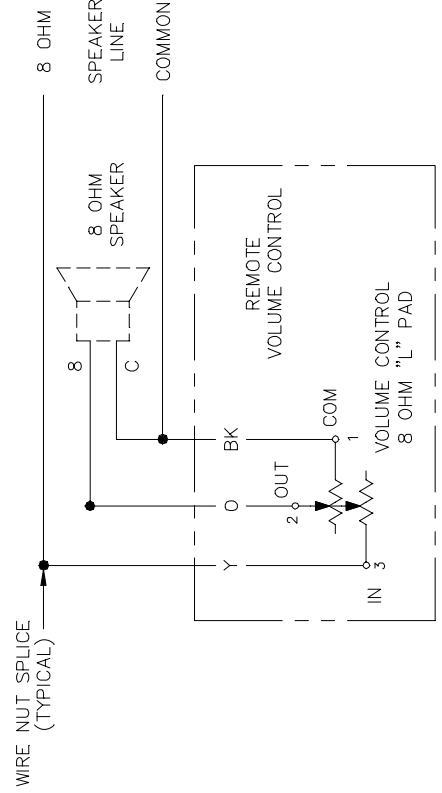
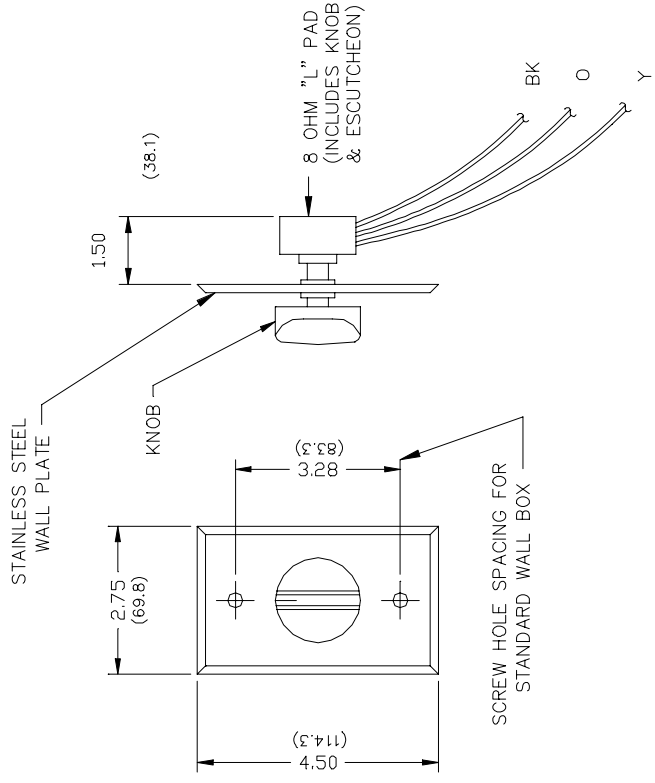


DWG NO. 70461

SHT. 1 OF 1 REV. A

THIS DOCUMENT AND ITS CONTENTS ARE THE PROPERTY OF GAI-TRONICS CORPORATION (GTC), AND CONSTITUTE PROPRIETARY AND CONFIDENTIAL INFORMATION. RECIPIENTS OF THE DOCUMENT/CONTENTS SHALL NOT, WITHOUT THE EXPRESS PRIOR WRITTEN CONSENT OF GTC, DISCLOSE, DIRECTLY OR INDIRECTLY, IN WHOLE OR IN PART, THE DOCUMENT/CONTENTS TO ANY PERSON OR ENTITY, AND SHALL NOT USE, IN WHOLE OR IN PART, THE DOCUMENT/CONTENTS, EXCEPT STRICTLY AS AUTHORIZED BY GTC.

REVISION				
REV.	DESCRIPTION	ENGR.	APVD.	DATE
A	PER ECN #97-400, REDRAWN ON CAD	GAF	RLA	12/11/97
	WAS A-SIZE / SAL			



UNLESS OTHERWISE SPECIFIED DIMENSIONS, ANGLES AND TOLERANCES ARE:
 FRACTIONS DECIMALS ANGLES
 ± 1/64 .XX ± .02 ± 1°
 .XXX ± .010

- NOTES:
1. PURCHASER'S WIRING SHOWN HEAVY.
 2. DIMENSIONS IN PARENTHESES ARE IN MILLIMETERS.

JOB DWG. No.	GAI-TRONICS CORPORATION READING, PA 19607 USA
CONTRACT No.	No. 12506-001
APPROVALS	DATE
DRAWN SPG	3/23/81
ENGR. DWK	3/26/81
APVD. DWS	3/26/81
DO NOT SCALE DWG.	SCALE
MATERIAL	SIZE FSCM No.
FINISH	B
	DWG No. 70461
	REV. A

REMOTE SPKR. VOLUME CONT. ASSY. OUTLINE & WIRING DIAGRAM